

LASER CUTTING

FL SERIES

FL Series

FL Series by **PLT (Pikis Laser Technologies)** consists of types
FL3015/500/1000/1500/2000/3000

Cutting Dimensions 1500 mm x 3000 mm

Power 500 W/1000 W/1500 W/2000 W/3000 W

These are Heavy-duty Laser machines for the demanding customer. The machines offer robust tension-free steel design and construction.

The Laser Power is 500 W-3000 W as per the customers' demands.

Suitable for cutting up to 18 mm/ST37 and 12 mm/Inox with the 3000 W Laser source. Metal marking is also possible.

Furthermore the **Auto Pallet Changer** is optional equipment in the *FLSeries*.

The **FL Series** embodies the latest progress in the Laser cutting machine construction.

The standard equipment includes **DPC (Dynamic Power Control)**.

DPC keeps the power to speed ratio constant, so that cutting quality remains stable and independent of cutting speed variations.

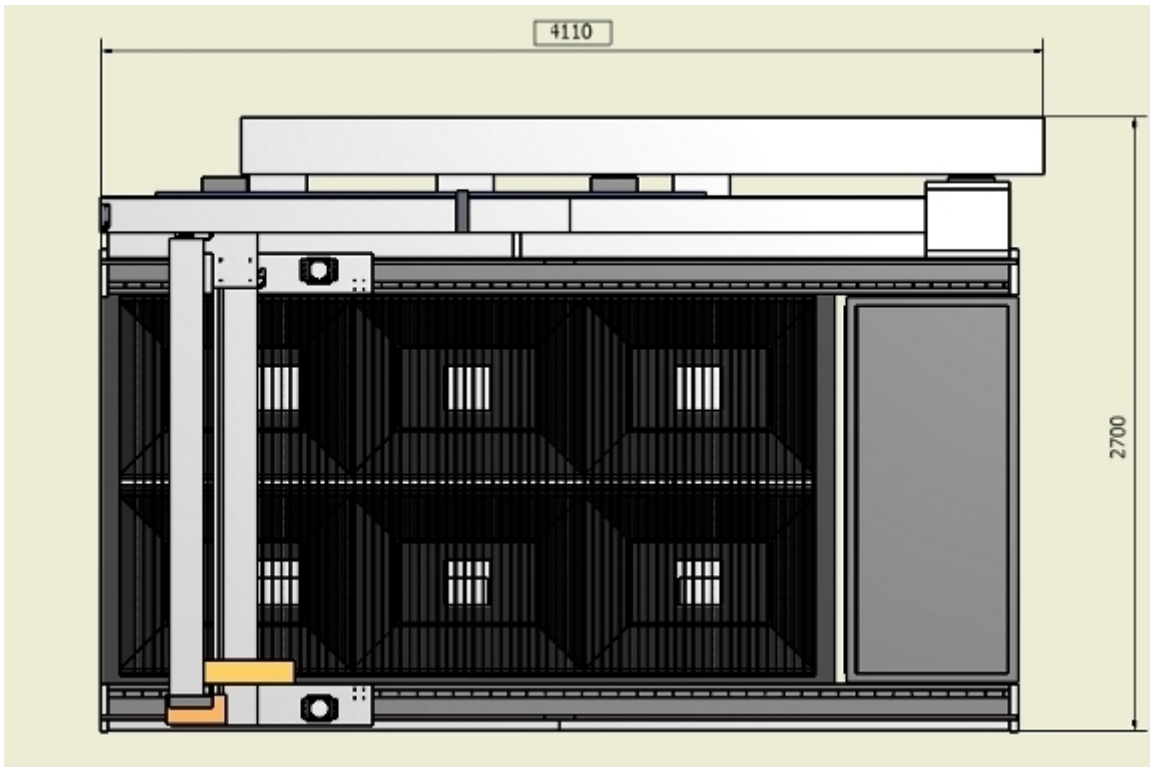
Optionally we offer our machines with the following systems:

- **PMS (Plasma Monitoring System)** which eliminates plasma formation during cutting.
- **FPS (Fast Piercing System)**. This is a system which monitors the piercing phase and, when this is completed, it updates the CNC to continue with the cutting.
This way we gain substantial piercing time, especially in the medium and large widths.



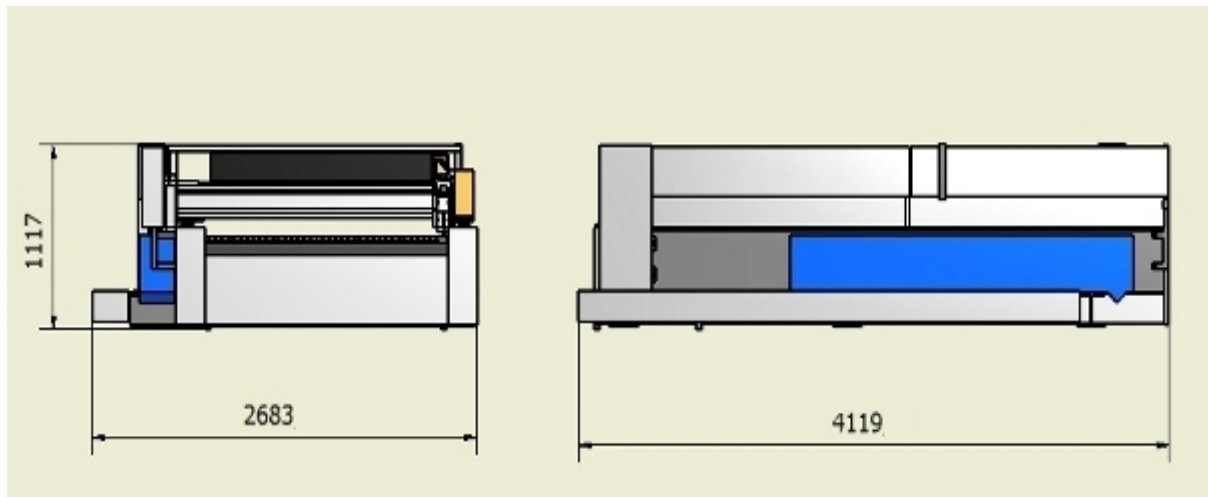
Drawings FL3015

(Dimensions in mm)



With Auto Pallet Changer

For Orders or Queries Please Push



LASER CUTTING

FL SERIES

Technical Specifications

Type	FL 500	FL 1000	FL 1500	FL 2000	FL 3000
Cutting Width (mm)	1500				
Cutting Length (mm)	3000				
Moving Speed (m/min)					
Open Type	15-25				
Frame Type	50-150				
Cutting Speed (m/min)	15-25				
Accuracy (mm)	0.01				
Repeatability (mm)	0.01				
Laser Power (W)	500	1000	1500	2000	3000
CNC	EUROPATH V2				
Height Sensor	Capacitive				
Transmission	Rack Pinion + Planetary Gears				
Max. Thickness Capacity (mm)					
Acrylic	40	40	40	40	40
ST 37	3	8	12	15	20
Inox	1.2	4	8	10	12
Aluminium	--	3	6	8	12
Auto Pallet Changer	Optional				
Average Weight (Kgr*)	3500				
Operating Voltage (V)	380	380	380	380	380
Operating Power (KW)	4.5	11	16	18	32